
In-ground Socket & Sleeve for Umbrella B200.02



DESIGN STATEMENT

Umbrella on footpath dining provides protective environment for footpath dining or public shaded area. In-ground socket provides a safe umbrella footing and allow easy daily storage for private umbrellas.

APPLICABLE LOCATION

For footpath dining, and as specified in public spaces.

COUNCIL STANDARD DRAWING

N/A

CROSS REFERENCE DOCUMENT

- N/A

STANDARD SPECIFICATION

For blue stone and concrete footpath: use stainless steel finishes.

For asphalt: use black powder coated metal.

SUPPLIER

DDawson and Co. www.ddawson.com.au, Indoor Outdoor Imports www.indooroutdoor.com.au, Awnet www.awnetplus.com or similar.

MAINTENANCE

N/A

GENERAL

GENERAL NOTES

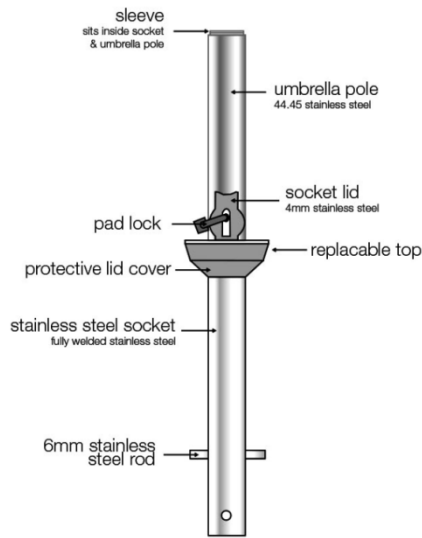
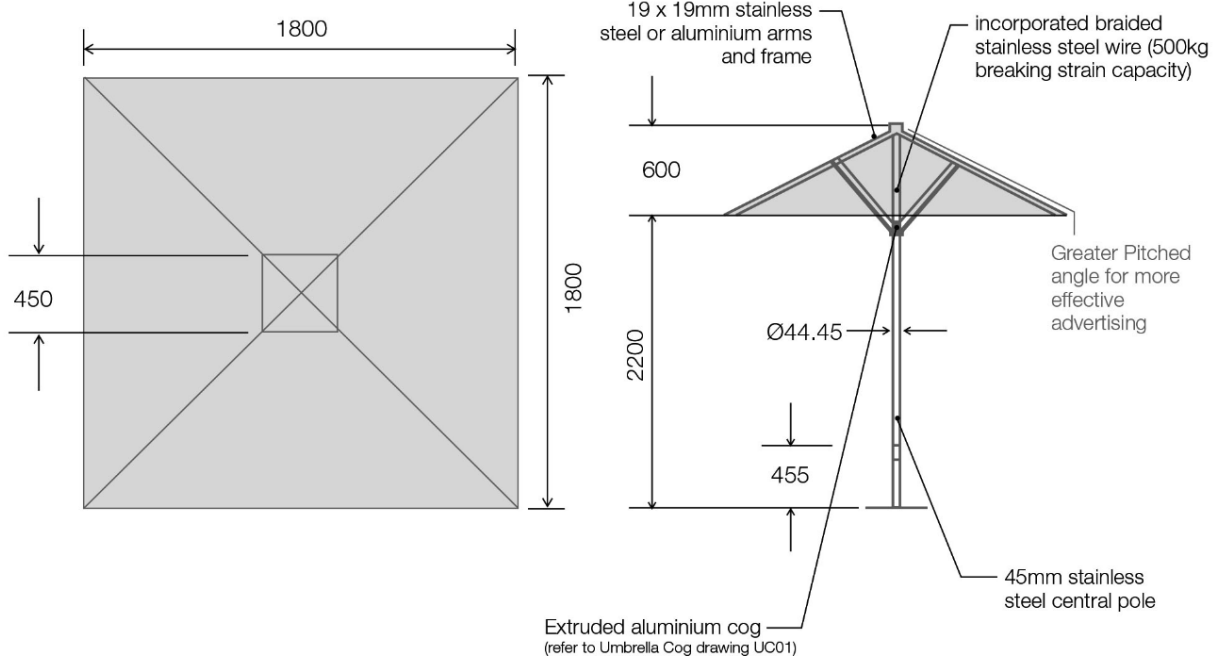
1. Refer to manufacturer's installation manual

May 2015

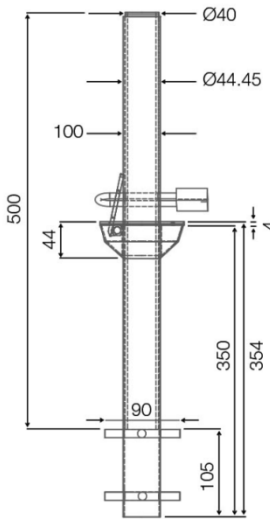


Moreland City Council

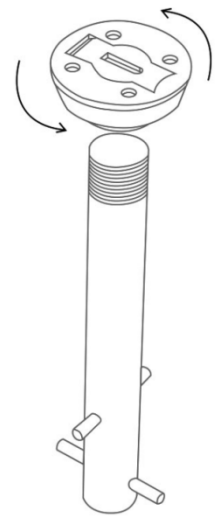
B200.02 In-ground Socket & Sleeve for Umbrella



FRONT VIEW



SIDE VIEW



Copyright: City of Melbourne

May 2015



Moreland City Council