



DESIGN STATEMENT

The Park Bollard shall have a pyramid square top bollard in Cypress Pine that matches the standard fence post for Moreland parks. Bollards allow free pedestrian movement whilst preventing vehicular access.

Bollards must be visually noticeable to motorists, cyclists and pedestrians, whilst blending into the site.

Where maintenance vehicular access is needed, a Park Removable Bollard shall be provided.

APPLICABLE LOCATIONS

Moreland open space including conservation areas, parks, playspaces and reserves.

COUNCIL STANDARD DRAWINGS

B150.03 Park Bollard

B150.03 Park Removable Bollard.

CROSS REFERENCE DOCUMENT

- N/A.

STANDARD SPECIFICATIONS

Size and material: 150 x 150 x 1500mm white cypress pine bollard with recessed reflector where required. Typically install with in-ground footings.

Removable Bollard: A Removable Bollard is sometimes required for maintenance access to a site. This bollard will be fitted in a steel sleeve with a Council padlock installed with in-ground footings.

SUPPLIER

Varies.

MAINTENANCE

Check bollards for any damage. Where the bollard is no longer secure in the ground, repair or replace.

GENERAL NOTES

Timber notes – Cypress Pine bollard

1. Timber for bollard to be durability class 1 Cypress Pine species, dressed all round.
2. All exposed edges on pyramid top to be arressed to min. 5mm.
3. All timber to be free of knots, splinters, cracks or any major defects.
4. Timber finishes – Raw timber is standard. Only where specified otherwise, finish with 3 coats of clear approved timber preservative (satin). Coat entire bollard prior to installing.

Specification

5. Typically space bollards 1500mm apart in a straight line or as directed.
6. Provide a minimum 1200mm wide pedestrian opening at regular intervals.
7. Bollards to be located on park boundary or set back 500mm-1m from back of kerb or as shown on plan.

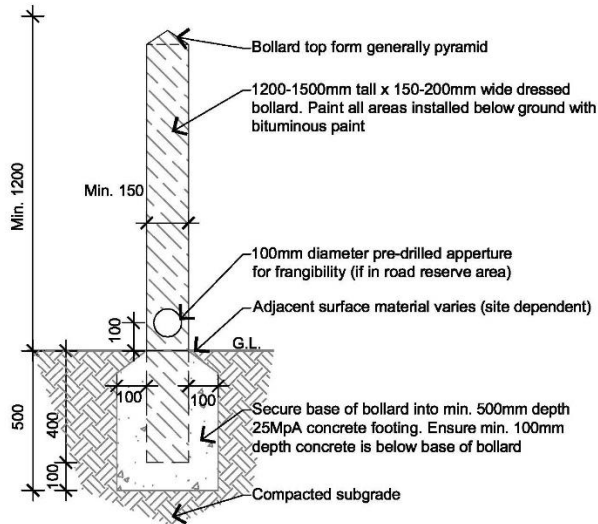
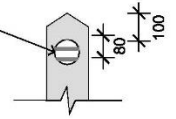
B150.03 Park Bollard

Park Bollard

Notes:

- Provide recessed reflective disc on each bollard facing the road when adjacent to road reserves, shared trails or car parks or as directed by Superintendent.
- Preferred materials include stainless steel or hardwood timber (AFCS/FSC certified) as nominated by Council.

90mmØ rebated reflector to current Australian Standards. Position on two sides of bollards and install so reflectors are facing the road side. Set each reflector 100mm below top of bollard

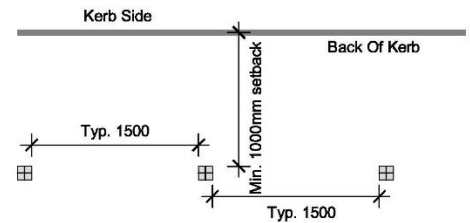


01 TYPICAL PARK BOLLARD
Cross Section 1:20

02 PARK BOLLARD WITH REFLECTIVE DISC
Detail 1:20

Bollard Spacing:

Bollards must be min. 1m offset from back of kerb and spaced at 1.5m intervals. Where spacing interval is shorter, provide a 1.2m wide access at regular intervals for non-vehicular access.

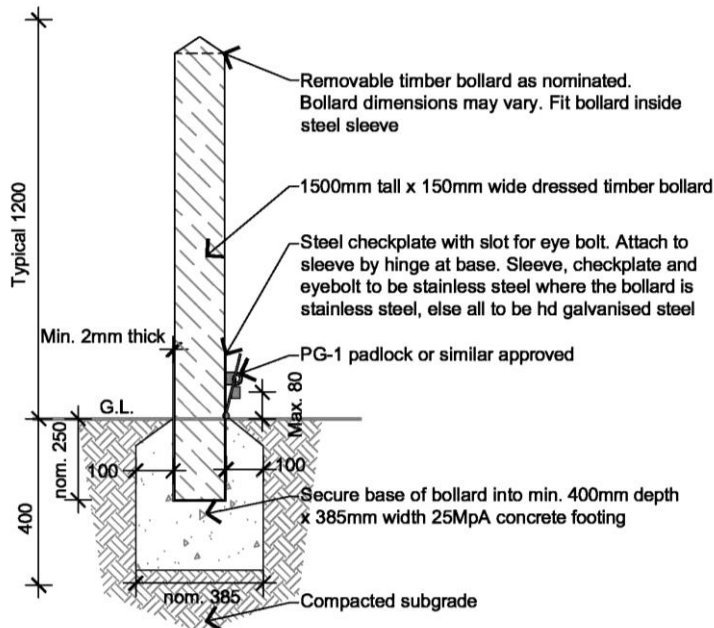


03 TYPICAL PARK BOLLARD PLACEMENT
Plan View 1:50

Park Removable Bollard

Notes:

- Removable bollard product must not weigh excessively so can be safely lifted by one average sized person.
- Provide recessed discs where adjacent to road reserves, shared trails or car parks.
- A removable bollard is only to be installed in concrete or asphalt paving.
- Removable bollards are to be typically spaced at 1.5m intervals.



01 PARK REMOVABLE BOLLARD
Cross Section 1:20